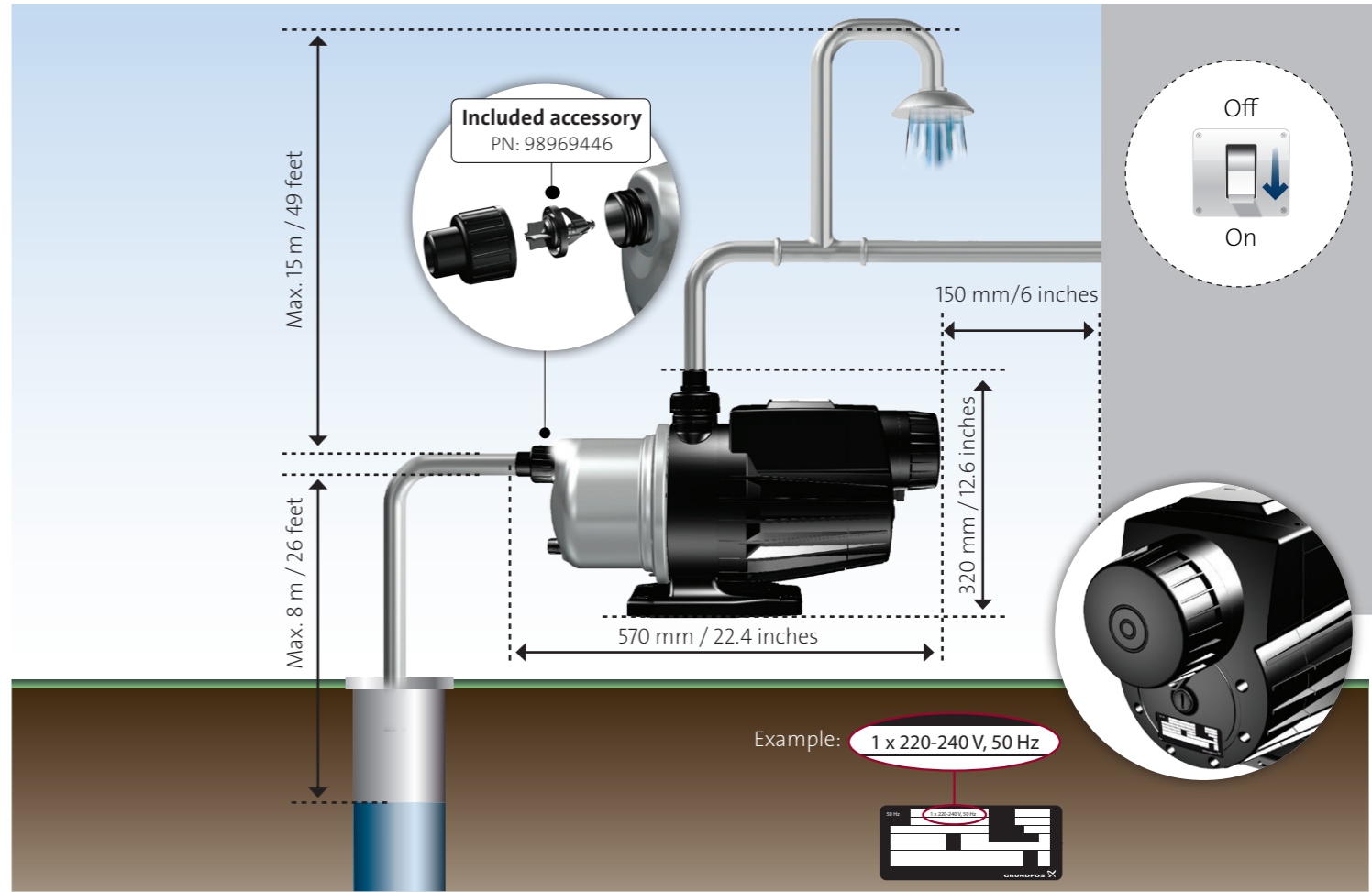
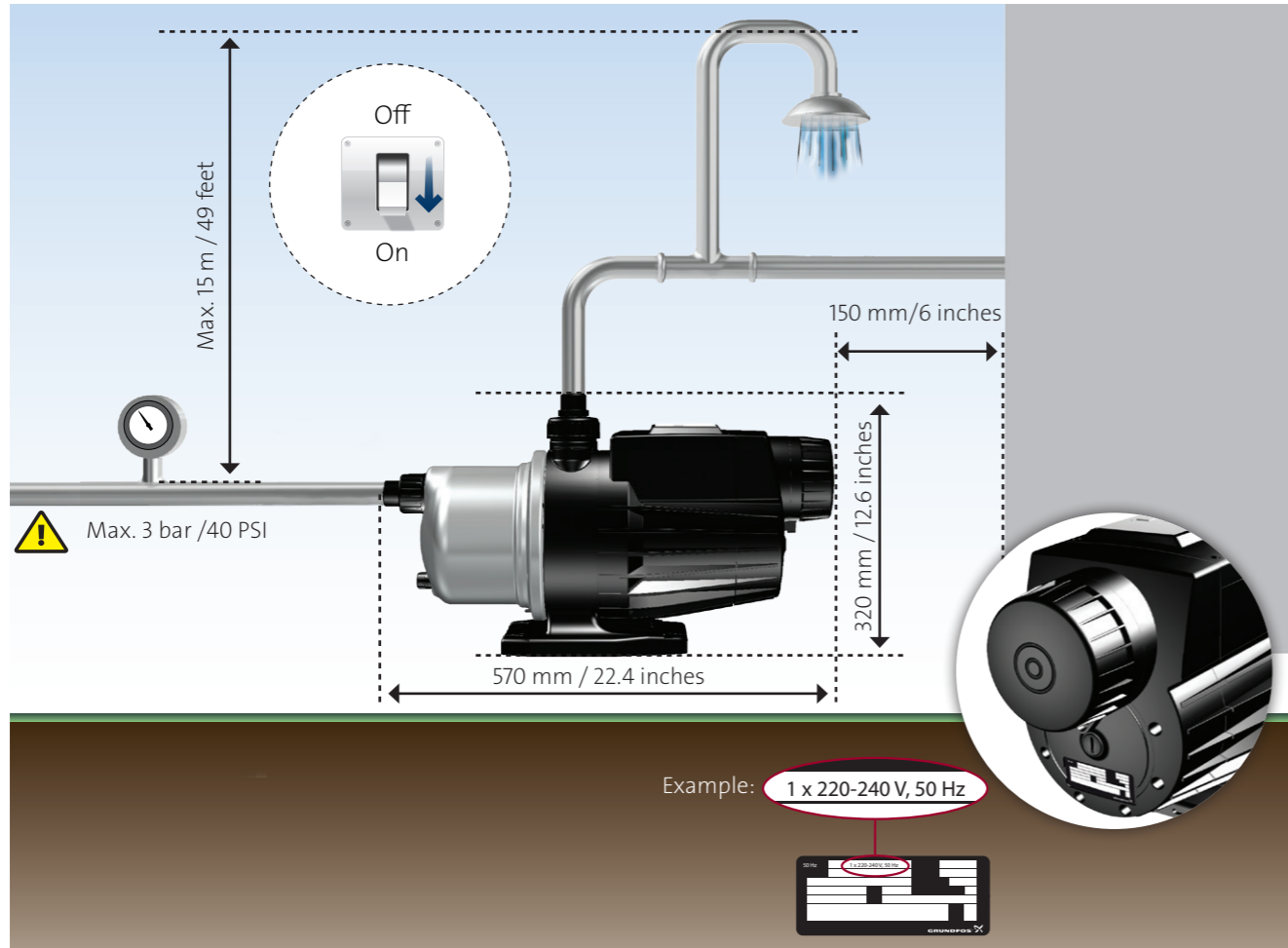


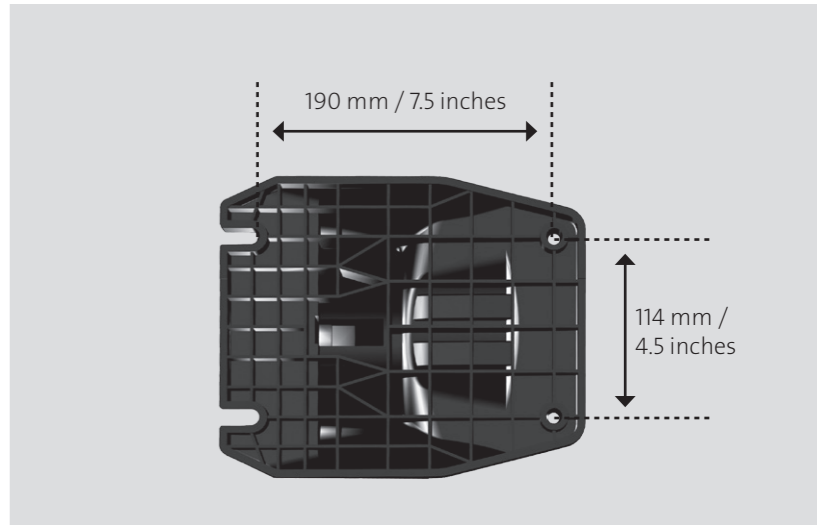
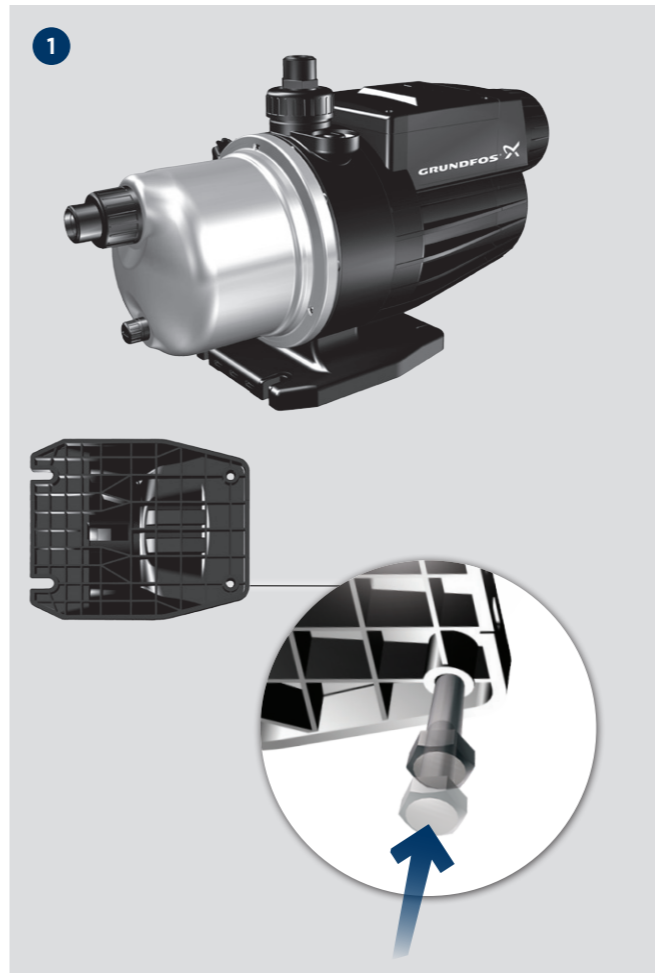
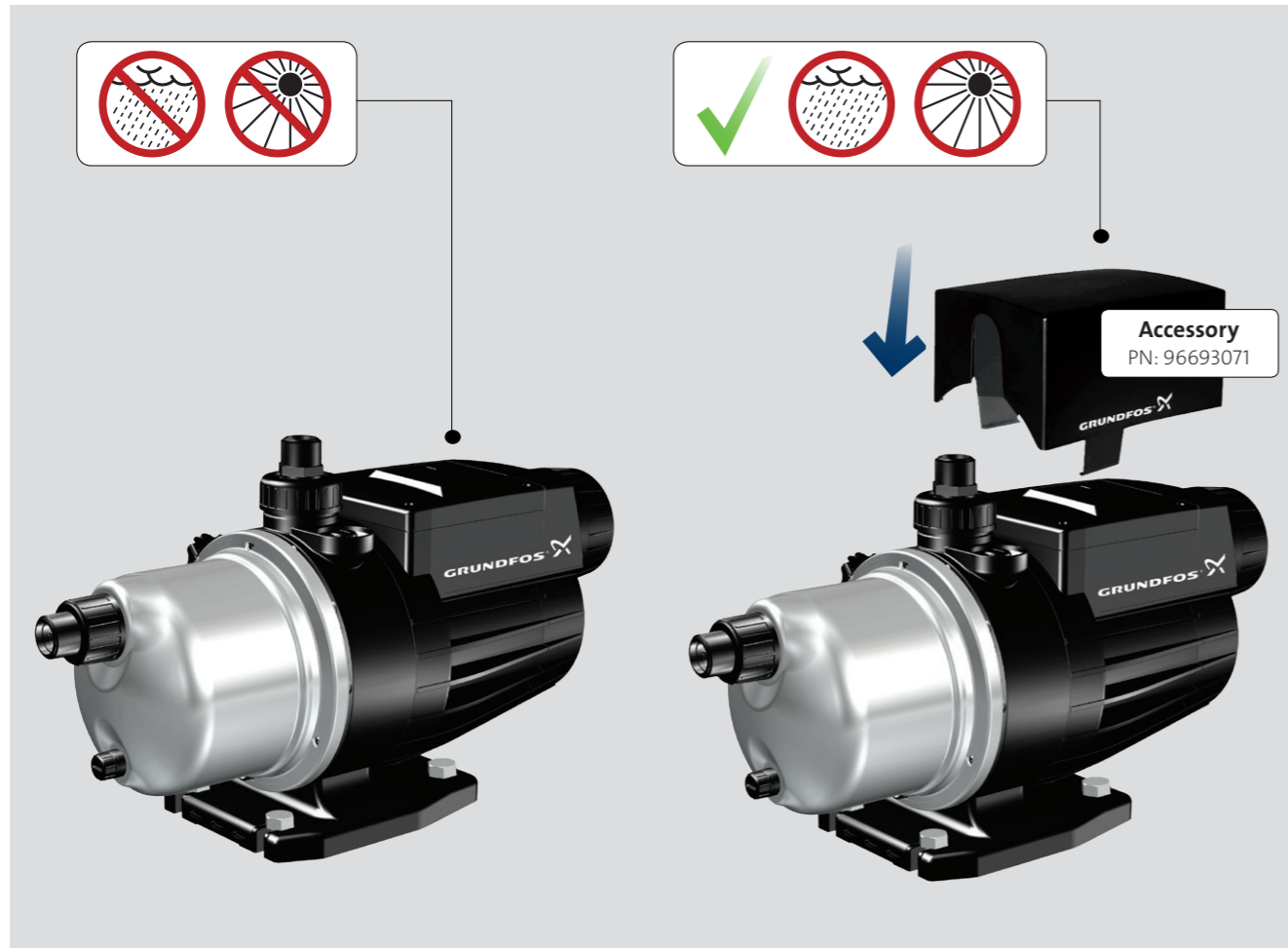
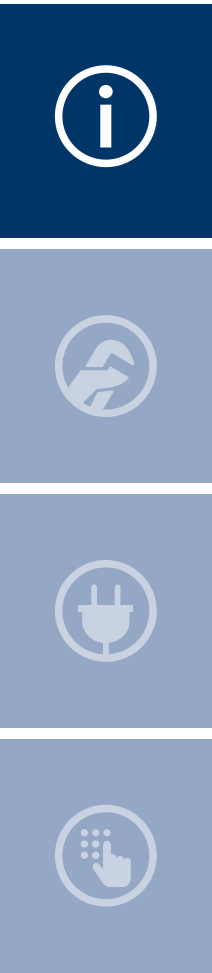


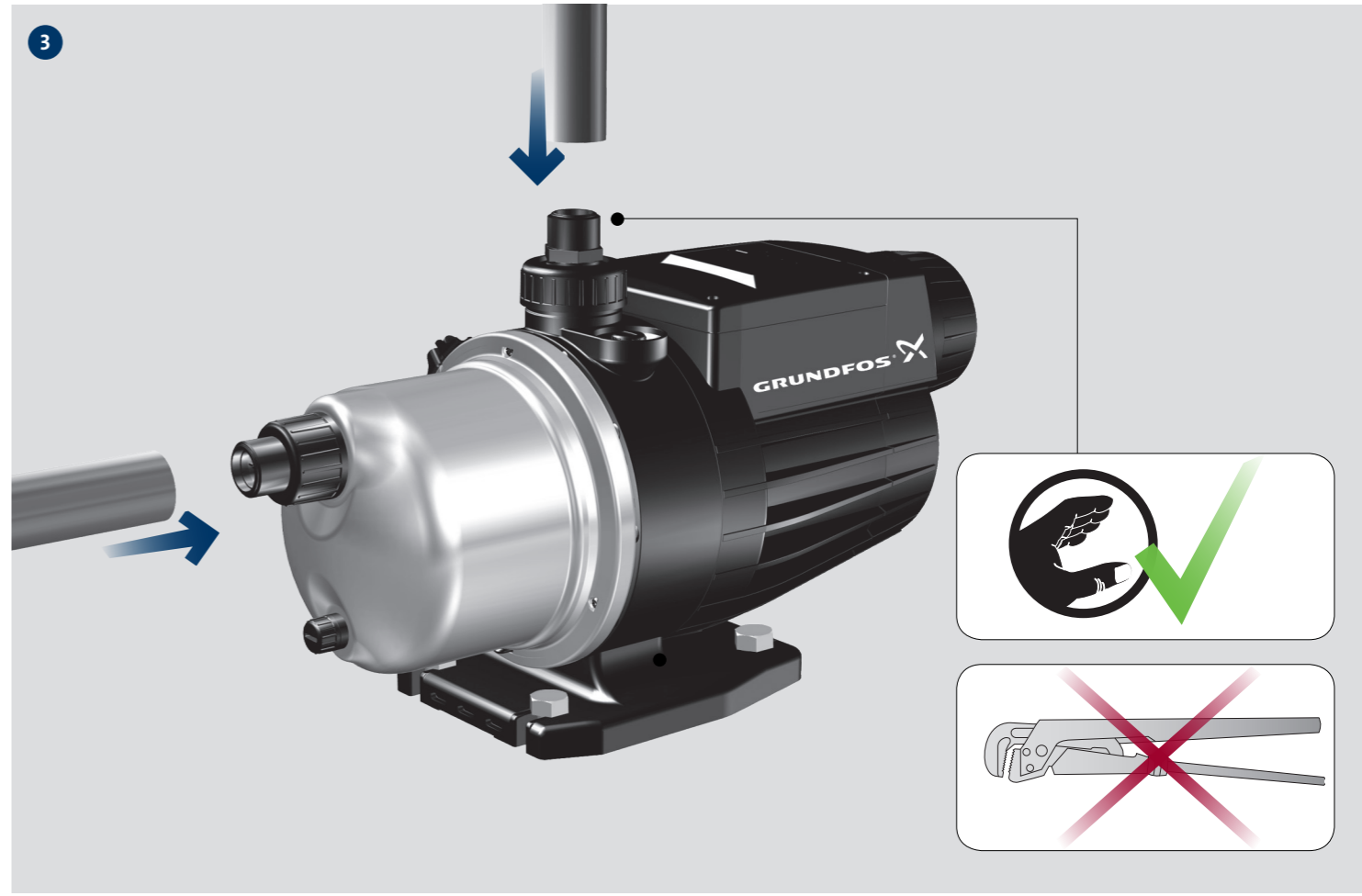
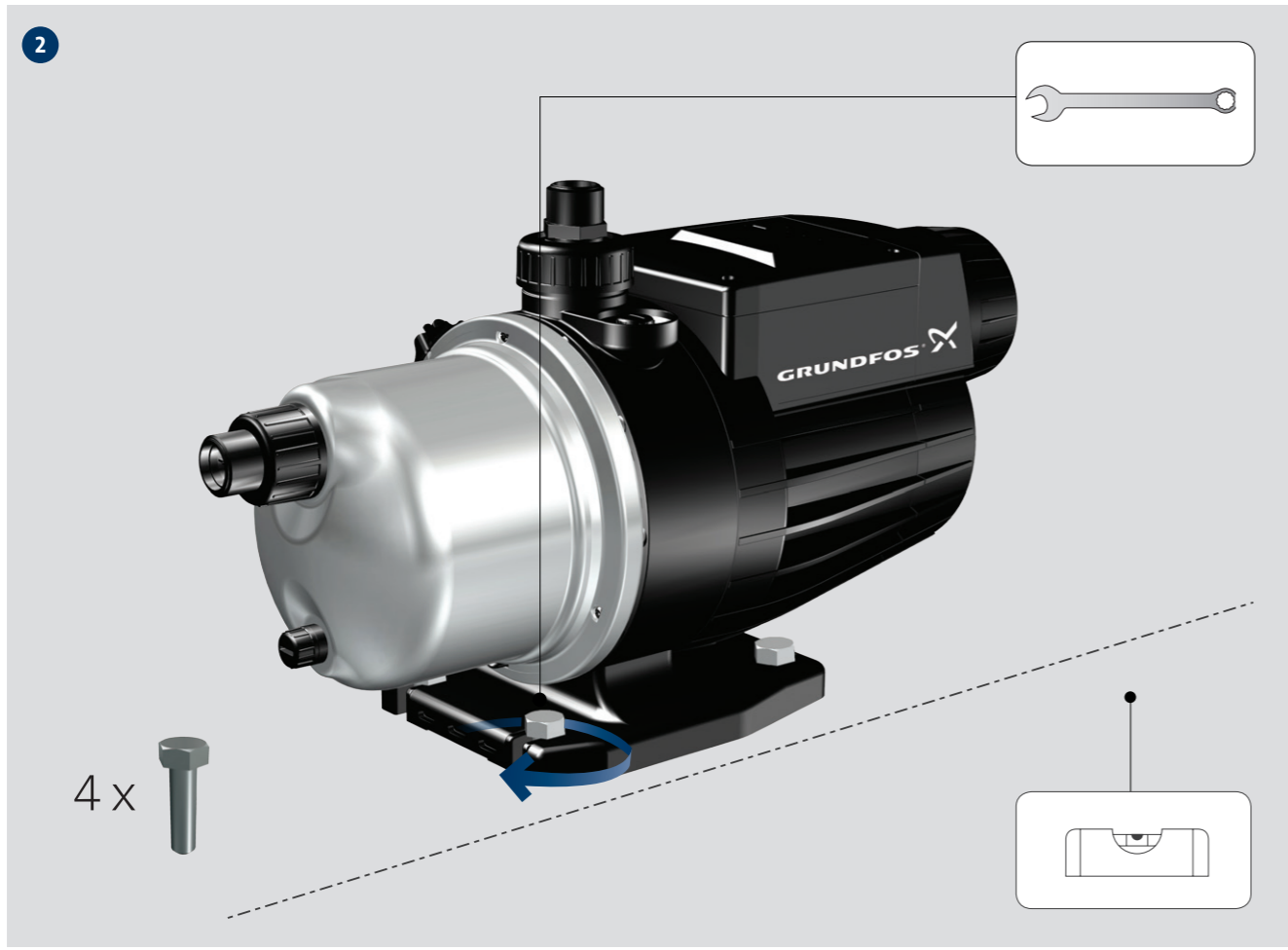
# GRUNDFOS MQ

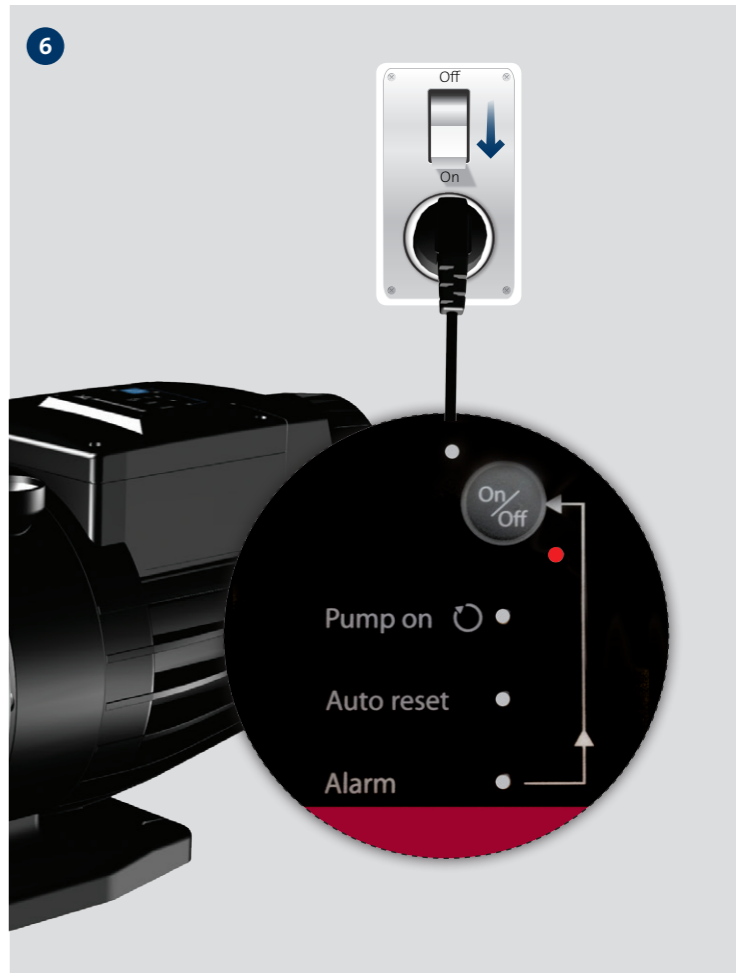
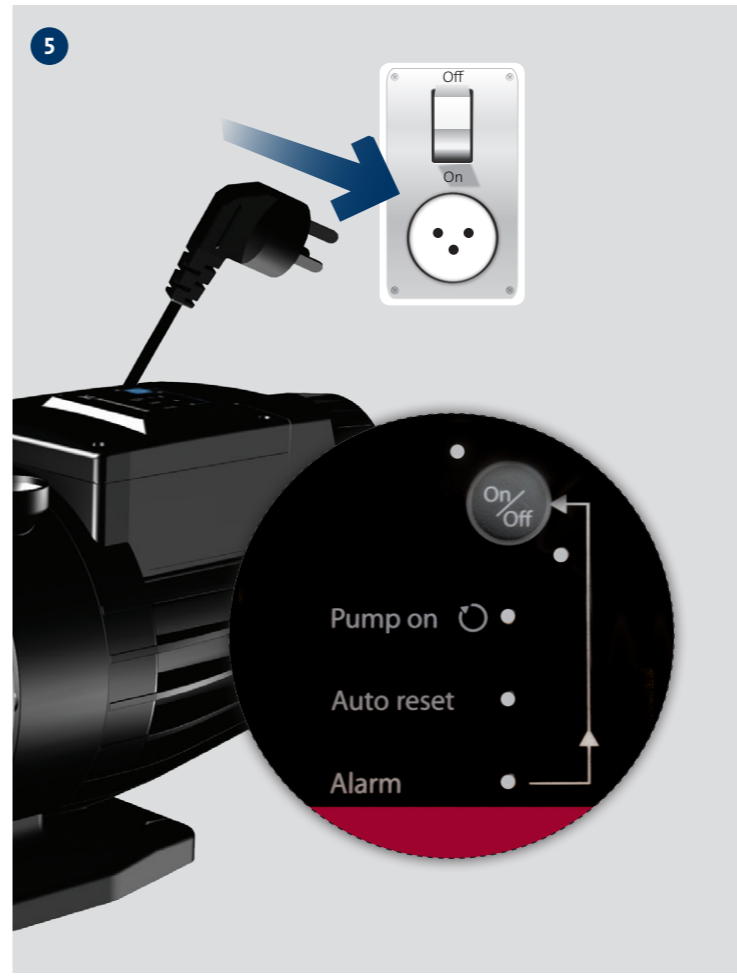
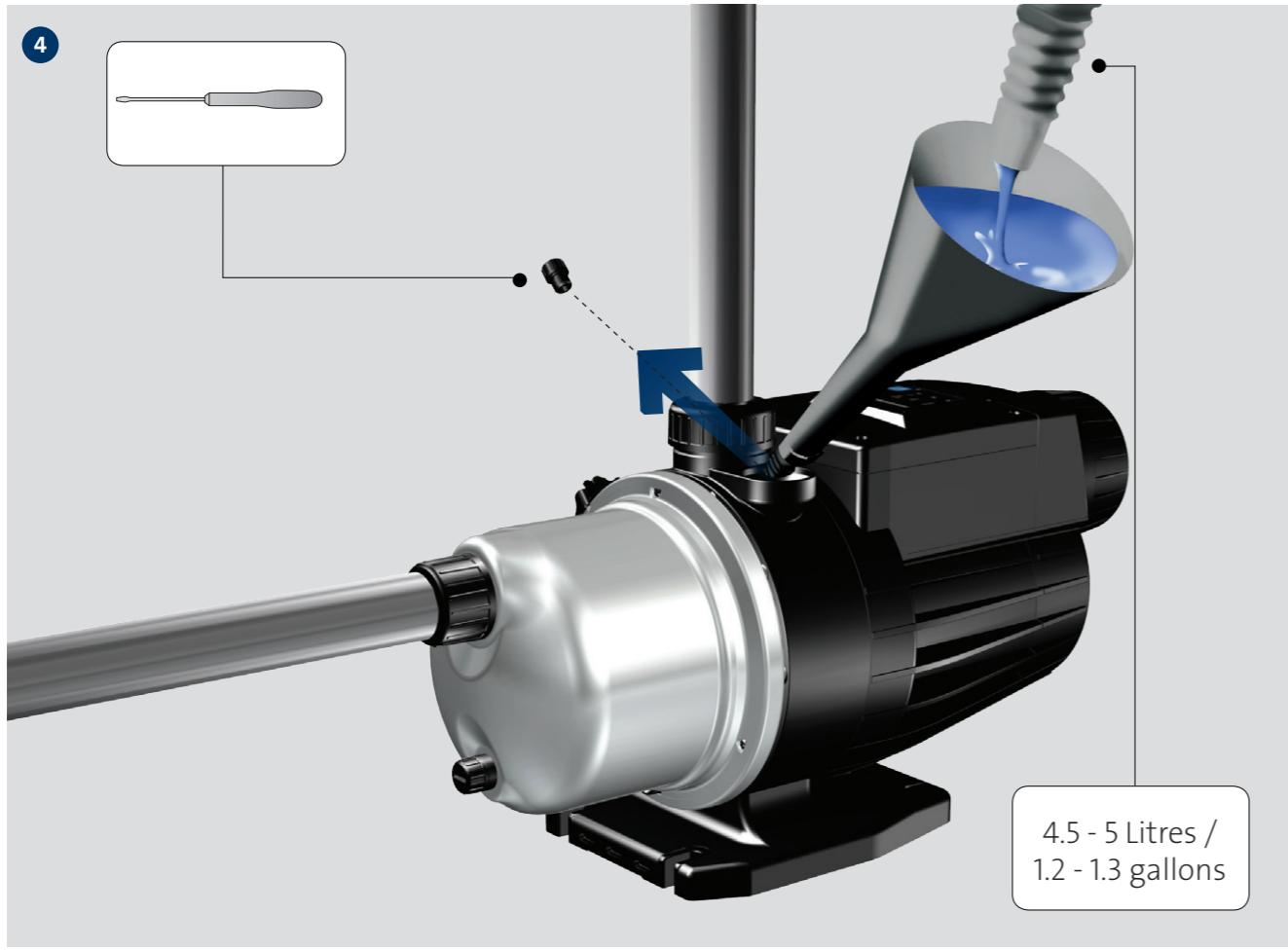


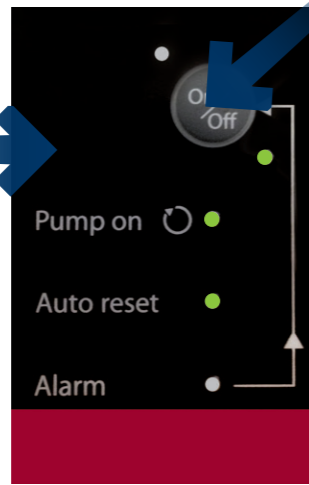
<http://qr.grundfos.com/i/MQinstallation>











## GRUNDFOS Holding A/S

Poul Due Jensens Vej 7  
DK-8850 Bjerringbro  
Tlf.: +45-87 50 14 00

98338977 0216

ECM: 1178728

be think innovate

**GRUNDFOS** 

The name Grundfos, the Grundfos logo, and the payoff be think innovate are registered trademarks owned by Grundfos Holding A/S or Grundfos A/S, Denmark. All rights reserved worldwide.