

88. Unilift

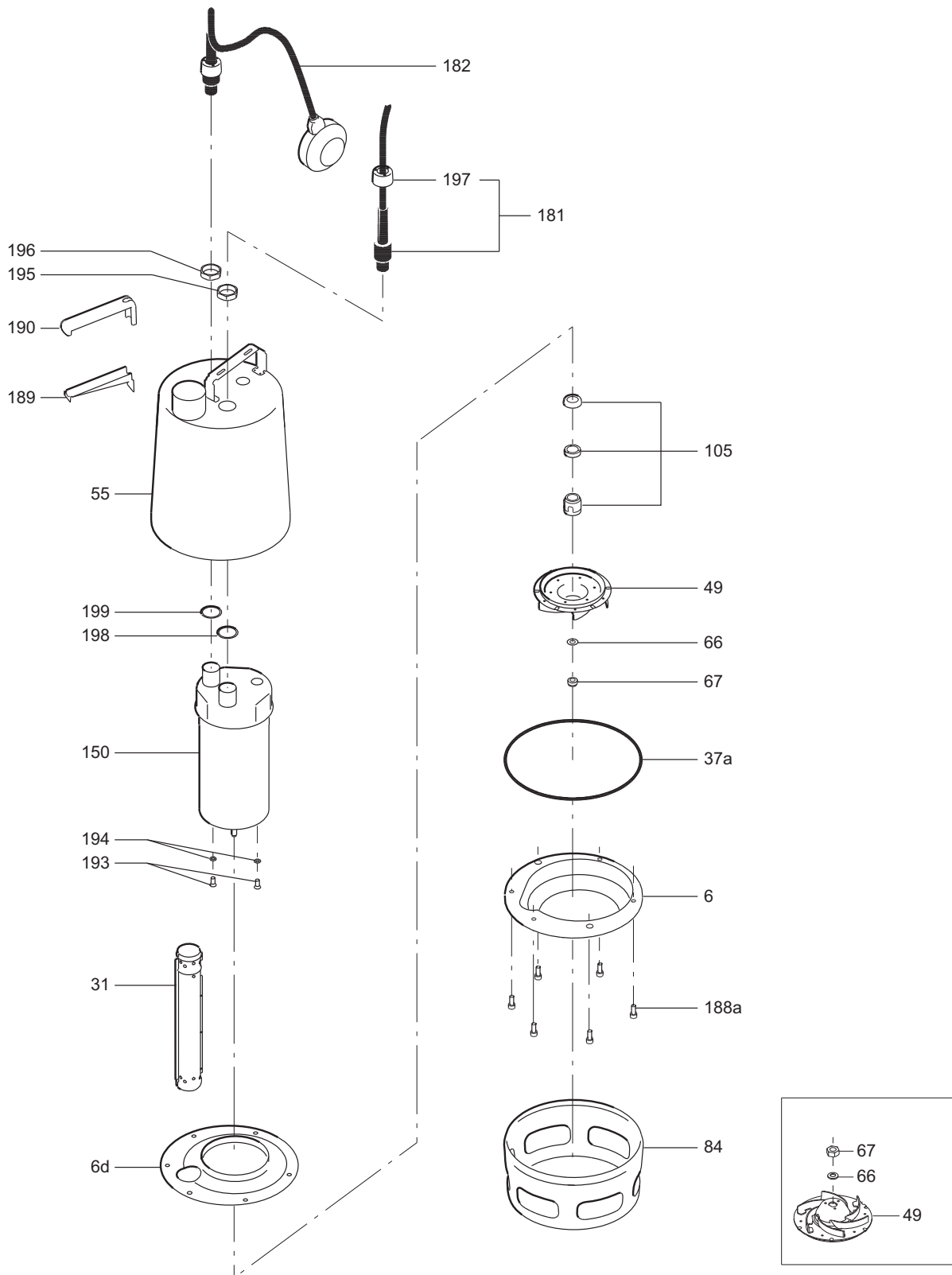
Unilift AP12, 35, 50

50/60 Hz

Shaft seal

Pos.	Pump types	Produced before 0321 (yyww)	
	Material	BQQP	BQQV
	Kit No	96427804	96426650
	Description		
37a	O-ring	1	1
66	Washer	1	1
67	Lock nut	1	1
67a	Protective cap	1	1
105	Shaft seal	1	1
188a	Screw	6	6
193	Screw	2	2
194	O-ring	2	2
198	O-ring	2	2
199	O-ring	1	1
-	Oil for motor	1	1

Unilift AP12, 35, 50



TM02 5230 1615

Unilift AP35B, AP50B

Shaft seal

Pos.	Pump type	Produced before 0321 (yyww)	
	Kit No	96429307	96429308
	Description	BQQP	BQQV
37	O-ring	1	1
37a	O-ring	1	1
66	Lock washer	1	1
67	Nut M10	1	1
105a	Shaft seal	1	1
193	Screw	2	2
194	O-ring	2	2
-	Oil for motor	1	1

Cable (new type)

Plug type	Schuko	Schuko	Schuko	None	None
Kit No	16701	16702	16734	16730	16731
Switch	Float switch	-	Float switch	-	-
Phase	1	1	1	3	3
Cable length [m]	10	10	5	5	10
Nut	2	2	2	2	2
Washer	2	2	2	2	2
Cable complete	1	1	1	1	1

Cable (old type)

Kit No	96429309	96429310
Description	Automatic	Manual
Motor plug housing	1	1
Intermediate plug	1	1
AMP terminals for power supply	1 set	1 set
AMP terminals for earth conductors	1 set	1 set
Oetiker rings	1 set	1 set
Cable entry with 1 hole	-	1
Cable entry with 2 holes	1	-
Rubber grommet for three-phase	-	1

Cable

Pos.	Kit No	96487149
	Description	DN 40
182	Cable	1

Upper guide rail holder

Pos.	Kit No	96829356
-	Upper guide rail 3/4"	1

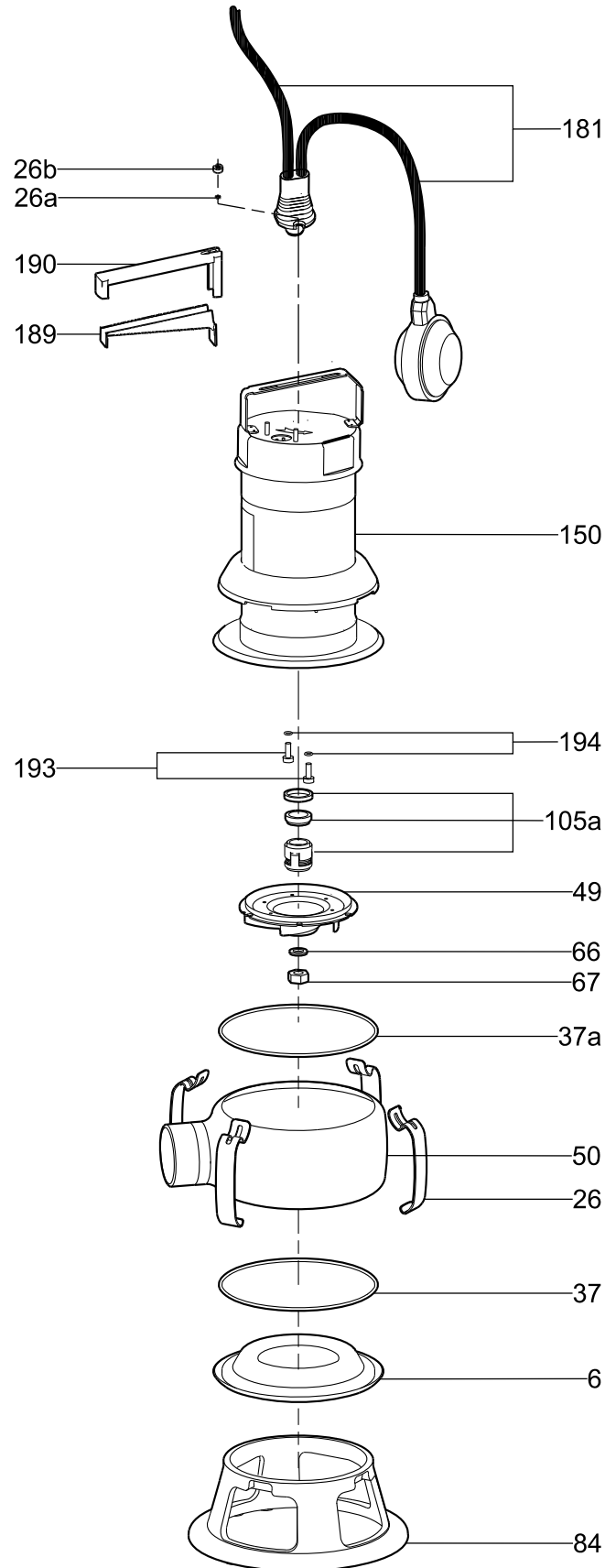
Guide shoe

Pos.	Outlet	Rp 2	NPT 2
	Description	NBR	NBR
	Kit No	97771479	97771485
-	Rubber seal for guide shoe	1	1
-	Guide shoe	1	1

SmartSeal

Pos.	Kit No	Rp 2/NPT 2
	Description	NBR
	Kit No	97771488
-	SmartSeal for guide shoe	1

Unilift AP35B, AP50B



TM03 9124 3407

Unilift CC 5, 7, 9

50/60 Hz

Bottom part

Pos.	Description	CC 5, 7, 9
	Kit No	97530921
50	Pump housing, inlet	1
37a	O-ring	1

Cable

Pos.	Description	50 Hz						60 Hz		
		CC 5			CC 7, CC 9			115 V	230 V	
		Kit No	96578971	97825411	97825415	96578972	97825435	97825438	97513318	97513331
			Schuko	Australia	None	Schuko	Australia	None	US	US
181	Cable, 10 m	1	1	1	1	1	1	1	-	-
	Cable, 32 ft	-	-	-	-	-	-	-	1	1
250	Cable entry	1	1	1	1	1	1	1	1	1
250a	Cable relief	1	1	1	1	1	1	1	1	1
48a	O-ring	1	1	1	1	1	1	1	1	1
48b	Cable crimp	3	3	3	3	3	3	3	3	3

Discharge connection

Pos.	Pump type	Unilift CC 5, 7, 9	Unilift CC 5, 7, 9
	Kit No	97825319	97825327
	Thread type	G	NPT
149b	Discharge connection	1	1
149a	O-ring	1	-
130a	Discharge elbow GAS 1 1/4 - GAS 1 1/4	1	1

Float switch

Pos.	Pump type	Unilift CC 5, 7, 9	Unilift CC 5, 7, 9
	Frequency	50 Hz	60 Hz
	Kit No	96578970	97513612
182	Float switch	1	1
250	Cable entry	1	1
250a	Cable relief	1	1
48a	O-ring	1	1
48b	Cable crimp	4	4

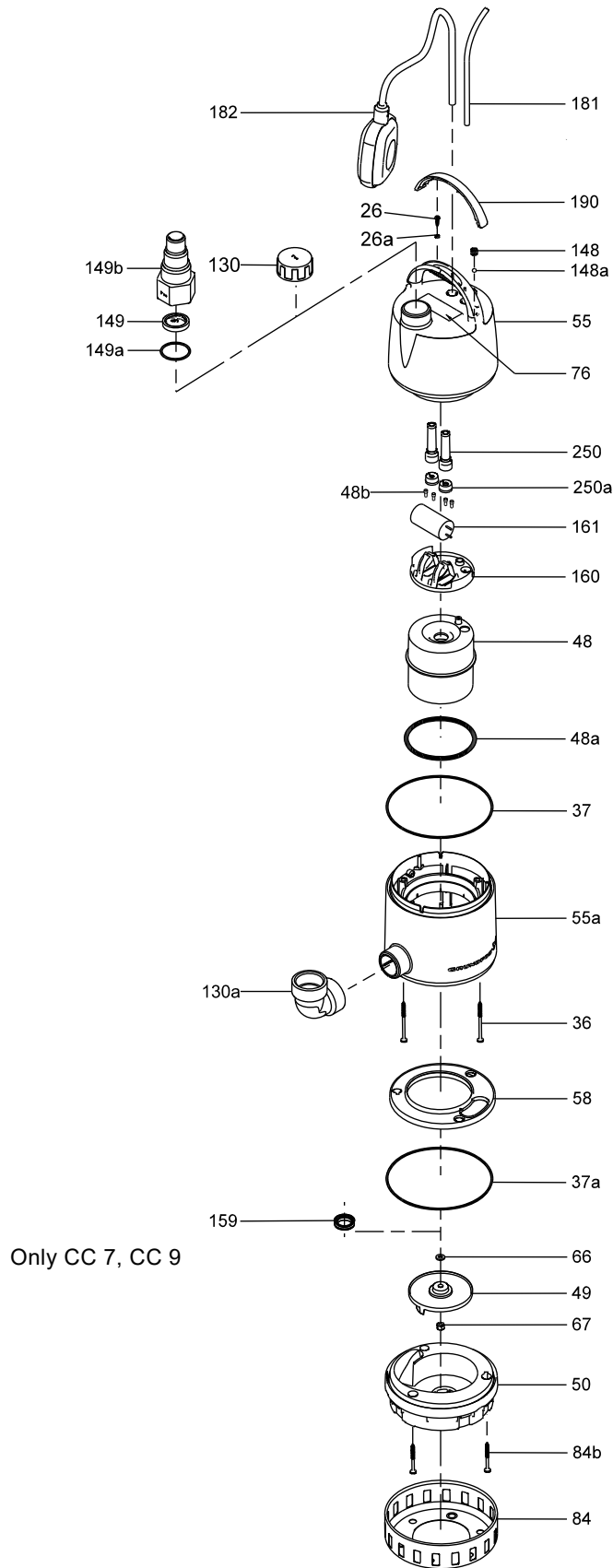
Impeller

Pos.	Description	50 Hz			60 Hz		
		CC 5	CC 7	CC 9	CC 5	CC 7	CC 9
		Kit No	96578967	96578968	96578969	97512794	97512822
48a	O-ring	1	1	1	1	1	1
49	Impeller	1	1	1	1	1	1
66	Washer	1	1	1	1	1	1
67	Nut	1	1	1	1	1	1
159	V-ring	-	1	1	-	1	1

Motor

Pos.	Description	50/60 Hz			60 Hz			
		230			115 V			
		CC 5	CC 7	CC 9	CC 5	CC 7	CC 9	
		Kit No	96578973	96578974	96578975	97513772	97513776	97513778
48	Motor	1	1	1	1	1	1	
48a	O-ring	1	1	1	1	1	1	
48b	Cable crimp	3	3	3	3	3	3	

Unilift CC 5, 7, 9



TM03 1101 1005

Flap valve

Pos.	Pumpe type	Unilift CC 5, 7, 9 Kit No
149	Rubber flap valve	1
149a	O-ring	1

O-ring

Pos.	Pumpe type	Unilift CC 5, 7, 9 Kit No
48a	O-ring	1
37a	O-ring	2
149a	O-ring	1

Spare part and bulk parts**Capacitor**

Pos.	Description	50/60 Hz		60 Hz		
		230 V	230 V	115 V		
		CC 5	CC 7, CC 9	CC 5, 7	CC 9	CC 7, 9
	Kit No	96578976	96578977	97825310	97825316	97824695
161	Capacitor	10	10	10	10	10
48b	Cable crimp	20	20	20	20	20

Discharge connection

Pos.	Pumpe type	Unilift CC 5, 7, 9		Unilift CC 5, 7, 9	
	Kit No	96578979		97825317	
	Thread type	G		NPT	
149b	Discharge connection	10		10	
149a	O-ring	1		-	

Flap valve

Pos.	Pumpe type	Unilift CC 5, 7, 9 Kit No
149	Rubber flap valve	10
149a	O-ring	-

Handle cover

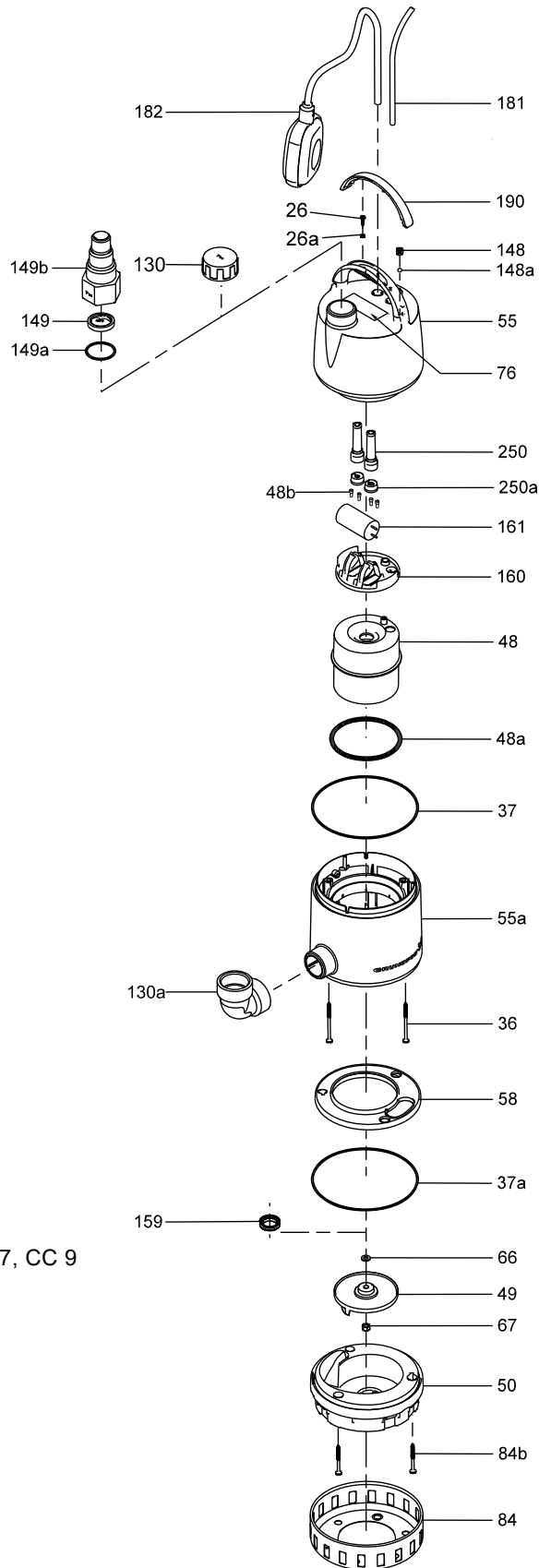
Pos.	Pumpe type	Unilift CC 5, 7, 9 Kit No
190	Handle cover	10

Strainer

Pos.	Pumpe type	Unilift CC 5, 7, 9 Kit No
84	Strainer	1

Unilift CC 5, 7, 9

Unilift CC 5, 7, 9 Unilift



Only CC 7, CC 9

TM03 1101 1005

Unilift KP

50/60 Hz, Models A, B, C

Bearing

Pos.	Pump type	All
	Description/kit No	96551553
188	Bearing complete	1

Cable

Pos.	Plug type	Australia		CEE		CH		
		Kit No	16715	16716	16735	16736	16712	16710
	Phase	1	1	3	3	1	1	1
	Cable length [m]	5	5	5	10	10	3	10
26	Nut	2	2	2	2	2	2	2
26a	Washer	2	2	2	2	2	2	2
181	Cable	1		1	1	1		
	Cable with float switch		1				1	1

Pos.	Plug type	DK		
		Kit No	16707	16705
	Phase	1		1
	Cable length [m]	10		3
26	Nut	2		2
26a	Washer	2		2
181	Cable	1		-
	Cable with float switch			1

Pos.	Plug type	Schuko					US		No plug	
		Kit No	16702	16703	16700	16701	16704	16728	16729	16725
	Phase	1	1	1	1	1	1, 115 V			
	Cable length	10 m	3 m	3 m	10 m	10 m	10 ft	25 ft	5 m	5 m
26	Nut	2	2	2	2	2	2	2	2	2
26a	Washer	2	2	2	2	2	2	2	2	2
181	Cable	1	-	-	-	-	1	1	1	-
	Cable with float switch	-	-	1	1	-	-	-	-	-
	Cable with level switch	-	1	-	-	1	-	-	-	1

Impeller, 50 Hz

Pos.	Model:	A and B		C	
		150	250	350	350
				1 x 100-110 V 3 x 200 V 3 x 380-400 V	1 x 220-240 V as from 0108 (yyww)
	Pump type	150	250	350	350
	Kit No	015778	015779	015785	015787
	Description				
37	Sealing part	1	1	1	1
49	Impeller	1	1	1	1
67	Lock nut	1	1	1	1

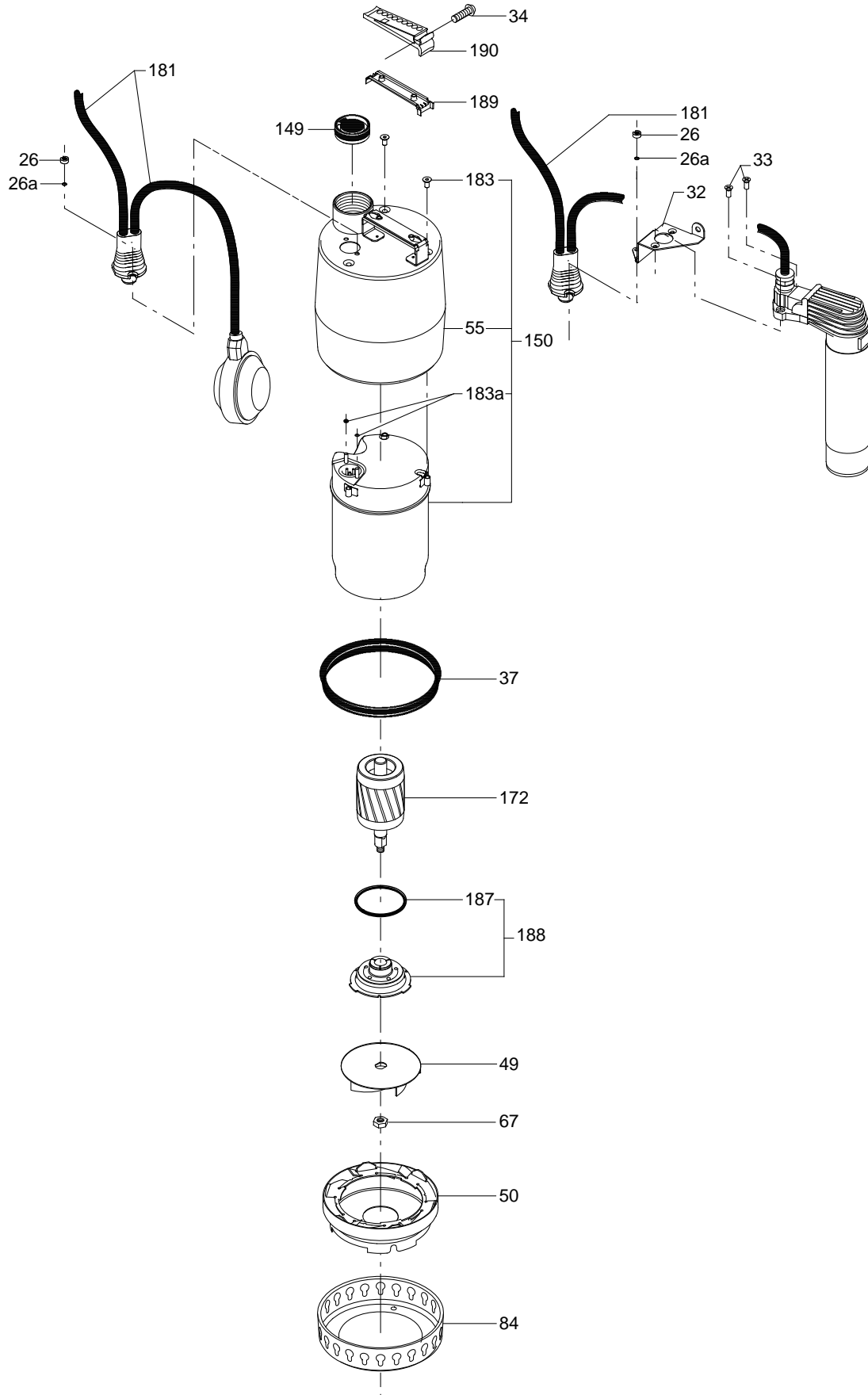
Impeller, 60 Hz

Pos.	Model	A and B		C
		150	250	350
	Pump type	150	250	350
	Kit No	015783	015784	015786
	Description			
37	Sealing part	1	1	1
49	Impeller	1	1	1
67	Lock nut	1	1	1

Strainer

Pos.	Pump type	150, 250	350
	Description/kit No	96548064	96548066
84	Strainer	1	1

Unilift KP



TM00 1639 2499

Guide shoe

Pos.	Outlet	Rp 2	NPT 2
	Rubber type	NBR	NBR
	Kit No	97771479	97771485
Description			
-	Rubber seal for guide shoe	1	1
-	Guide shoe	1	1

Rubber valve

Pos.	Pump type	All
Description/kit No		15220
149	Rubber valve	1

Shaft with rotor

Pos.	Pump type	150		250		350	
		50 Hz 220-240 V		50/60 Hz 220-240 V		50 Hz 3 x 380-415 V	
		Description/kit No		Description/kit No		Description/kit No	
172	Shaft with rotor	1	1	1	1	1	1

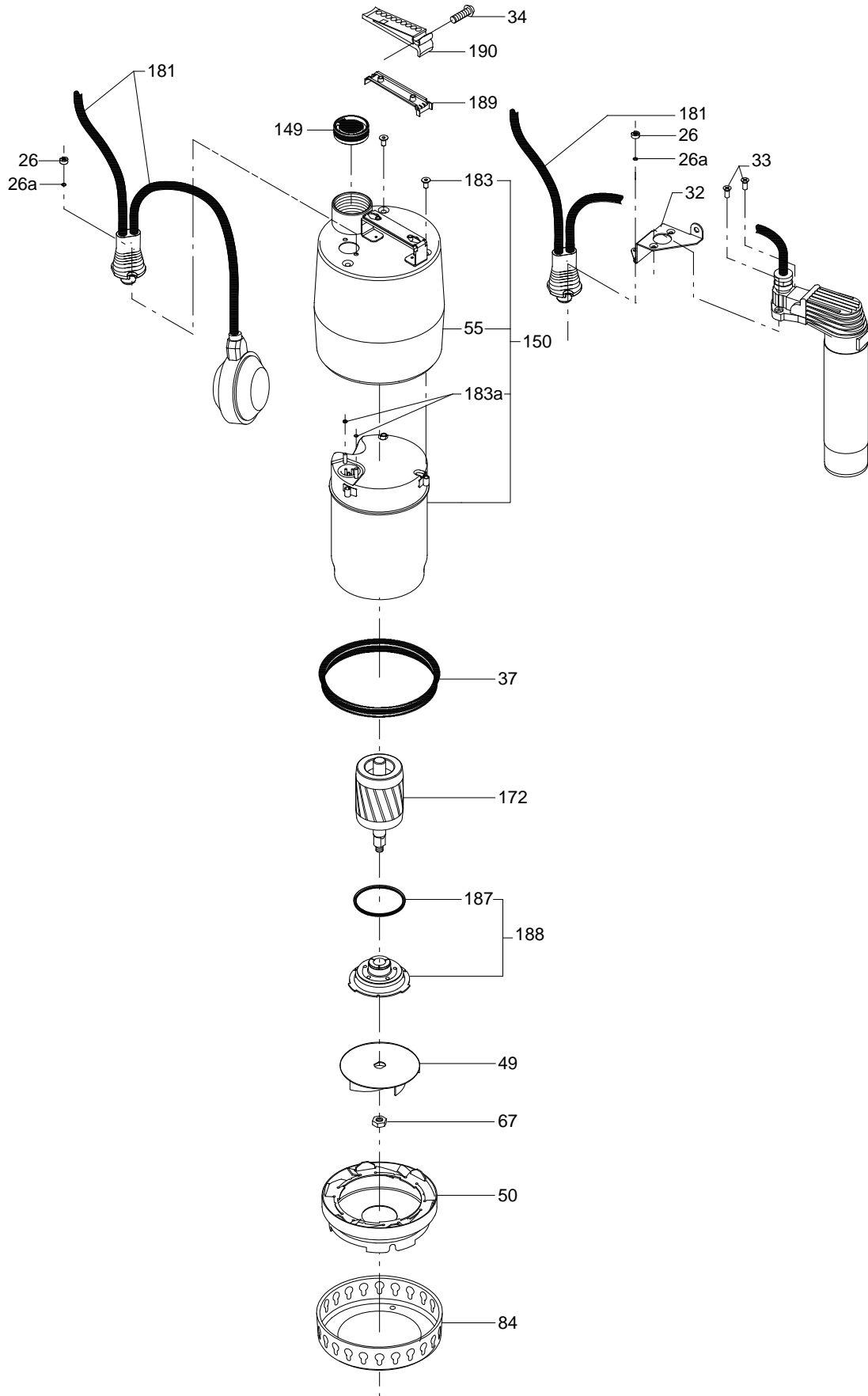
Pos.	Plug type	None								
		Kit No	96590416	16726	16739	96590417	16738	16724	96590414	96590415
		Switch	-	-	Level switch	Level switch	Level switch	Float switch	Float switch	Float switch
	Phase	1	1	1	1	1	1	1	1	
	Cable length [m]	5	10	3	5	10	3	5	10	
26	Nut	2	2	2	2	2	2	2	2	
26a	Washer	2	2	2	2	2	2	2	2	
32	Holder for level switch	-	-	1	1	1	-	-	-	
33	Screw	-	-	2	2	2	-	-	-	
34	Screw	-	-	1	1	1	-	1	-	
181	Cable complete	1	1	1	1	1	1	1	1	

Pos.	Plug type	None			
		Kit No	16732	16730	16731
		Switch			
	Phase	3, 200 V	3	3	
	Cable length [m]	5	5	10	
26	Nut	2	2	2	
26a	Washer	2	2	2	
181	Cable complete	1	1	1	

Upper guide rail holder

Pos.	Kit No	96829356
Description		DN 40
-	Upper guide rail holder 3/4" (material 1.4301)	1

Unilift KP



TM00 1639 2499